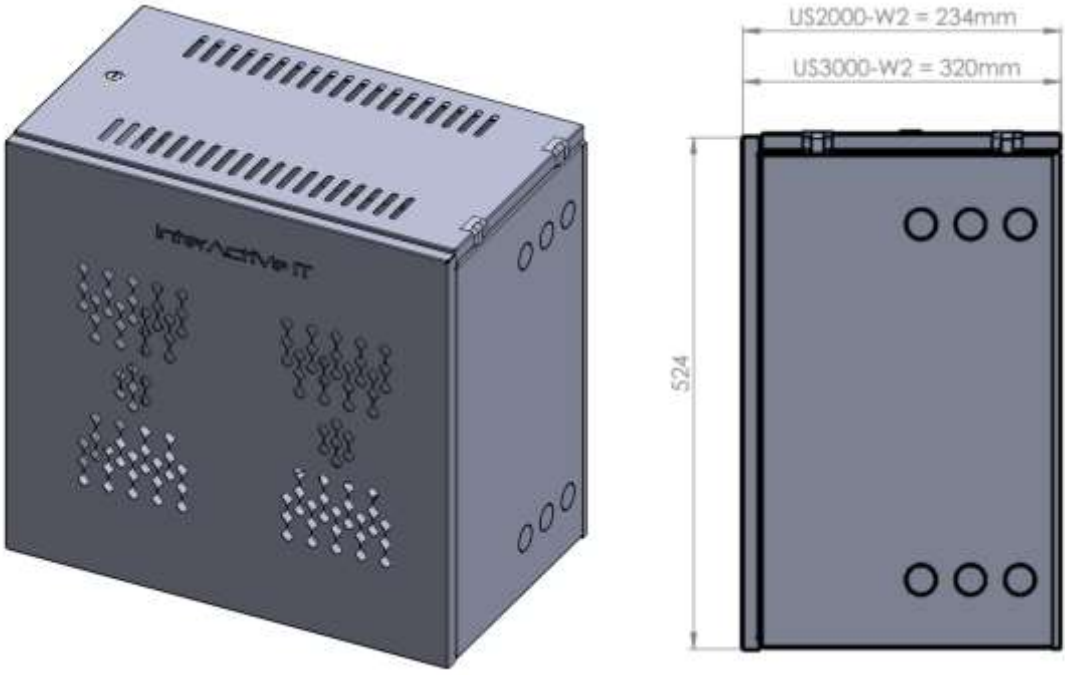
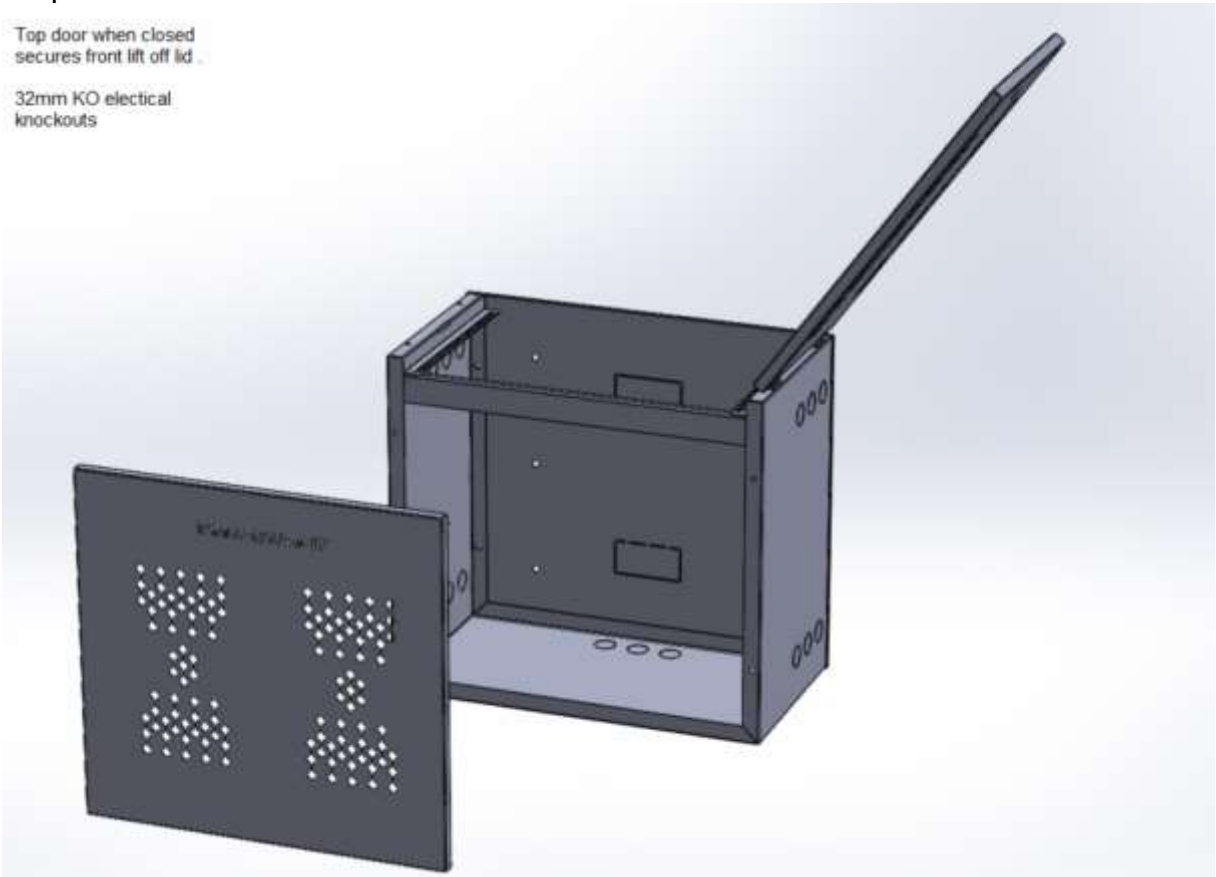


## US2000-W2B & US3000-W2B Pre-Assembled Vertical Wall mount Cabinet



### 3D Exploded View

Top door when closed  
secures front lift off lid.  
32mm KO electrical  
knockouts



**LIMITED WARRANTY**

FOR ONE YEAR from the date of purchase from the supplier, this product is warranted against any defects in material or workmanship.

In the event of a warranty claim, an invoice from the supplier is required, a defective part will be replaced free of charge by the manufacturer.

If a replacement part is unavailable, the product will be replaced with one of equal value.

This warranty does not apply to a product that is damaged or altered through transportation, misuse, abuse, corrosion, accident, neglect, modification or mishandling.

Please note the cabinets have been strictly engineered as follows

US2000-W2B = 2x US2000 Pylontech Batteries (Wall Mount)

US3000-W2B = 2x US3000 Pylontech Batteries (Wall Mount)

**Optional Application**

US3000-W2B = 2x US2500 Pylontech Batteries (Wall Mount)

US3000-W2B = 3x US2000 Pylontech Batteries (Wall Mount)  
(support bracket recommended)

Any damage due to over stacking will not be covered by warranty.

Please send any warranty queries together with a copy of your invoice to

[sales@interactiveit.co.za](mailto:sales@interactiveit.co.za)  
[www.interactiveit.co.za](http://www.interactiveit.co.za)